



WESTVIEW SALES LTD.

7251 - 120TH STREET

DELTA, B.C. V4C 6P5

TEL: (604) 591-7747 FAX: (604) 591-7914



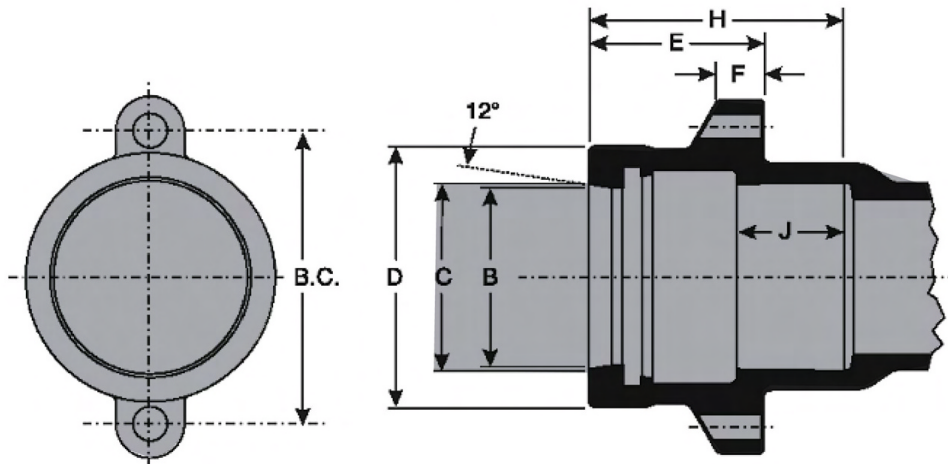
PUSH-ON FITTINGS

DUCTILE IRON

3"-16" DUCTILE IRON PUSH-ON JOINT FITTINGS, CLASS 350

BASIC SPECIFICATIONS

MATERIAL	Ductile Iron ASTM A536
PRESSURE	350 PSI Water Working Pressure (CLASS 350)
TESTING	In accordance with AWWA C153 (ANSI A21 .53) & UL requirements
LAYING LENGTH	Short body design - straight section of body deleted to provide a more compact and less heavy fitting without reducing strength or flow characteristics, in accordance with AWWA C153 (3"-16")
CEMENT LINING	In accordance with AWWA C104 (ANSI A21 .4)
COATING	Fusion-bonded epoxy coating inside and out in accordance with AWWA C213-96 CSA Z245.20-98 NSF61
GASKETS	SBR in accordance with AWWA C111 (ANSI A21 .11)
STANDARDS	AWWA C153 (ANSI A21 .53-88_ for Compact Ductile Iron Fittings 3"-16" for water and other liquids.



Dim.	B	C	D	B.C.	H	J	E	F
3	4.07	4.18	5.66	5.62	4.00	1.95	2.12	0.75
4	4.89	5.00	6.54	7.88	4.00	1.95	2.12	0.87
6	6.99	7.12	8.86	9.81	4.00	1.96	2.12	0.87
8	9.14	9.28	10.94	12.06	4.50	2.14	2.75	1.00
10	11.19	11.32	13.00	14.12	4.50	2.06	2.88	1.12
12	13.29	13.44	15.35	16.50	5.00	2.36	3.00	1.12
14	15.44	15.99	17.64	18.75	5.50	2.48	3.12	1.25
16	17.56	18.11	19.84	21.25	6.00	2.98	3.25	1.25

Dimensions in Inches

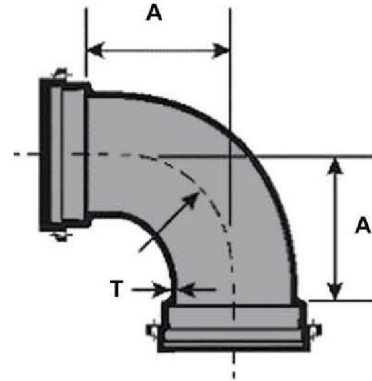
Weights in Pounds



PUSH-ON COMPACT DUCTILE IRON FITTINGS

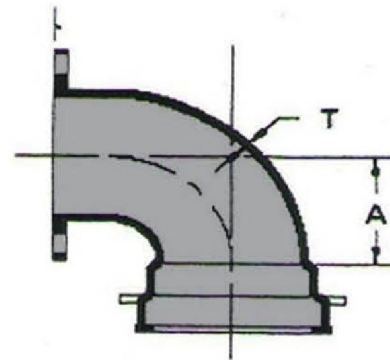
BENDS - 90 DEGREES PO X PO

Size	Item No.	A	T	Wt.
4	POB490	4.00	0.34	32
6	POB690	5.00	0.36	50
8	POB890	6.50	0.38	79
10	POB1090	7.50	0.40	115
12	POB1290	9.00	0.42	140
16	POB1690	12.50	0.50	285



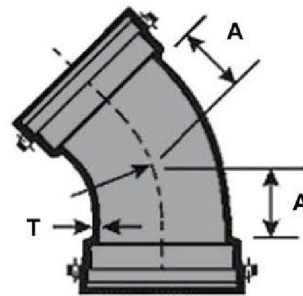
BENDS - 90 DEGREES PO X FLG

Size	Item No.	A	T	Wt.
4	POFB490	4.00	0.34	32
6	POFB690	5.00	0.36	50
8	POFB890	6.50	0.38	79
10	POFB1090	7.50	0.40	115
12	POFB1290	9.00	0.42	140
16	POFB1690	12.50	0.50	287



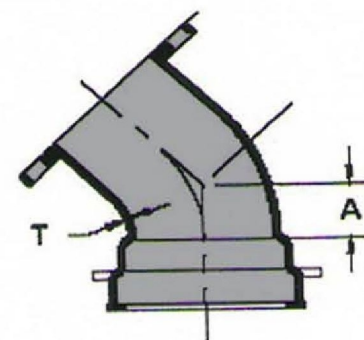
BENDS - 45 DEGREES PO X PO

Size	Item No.	A	T	Wt.
4	POB445	2.00	0.34	28
6	POB645	3.00	0.36	42
8	POB845	3.50	0.38	65
10	POB1045	4.50	0.40	95
12	POB1245	5.50	0.42	139
16	POB1645	5.50	0.50	253



BENDS - 45 DEGREES PO X FLG

Size	Item No.	A	T	Wt.
4	POFB445	2.00	0.34	28
6	POFB645	3.00	0.36	42
8	POFB845	3.50	0.38	65
10	POFB1045	4.50	0.40	95
12	POFB1245	5.50	0.42	139
16	POFB1645	5.50	0.50	253



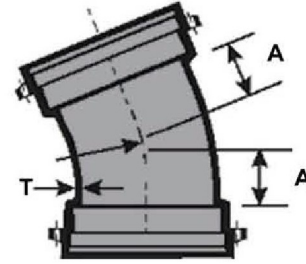
Dimensions in Inches

Weights in Pounds



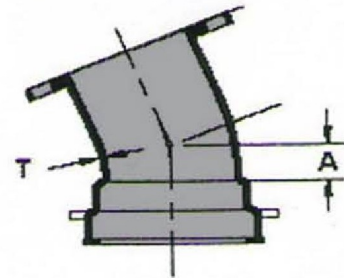
BENDS - 22.5 DEGREES PO X PO

Size	Item No.	A	T	Wt.
4	POB422	1.50	0.34	18
6	POB622	2.00	0.36	41
8	POB822	2.50	0.38	55
10	POB1022	3.00	0.40	80
12	POB1222	3.50	0.42	125
16	POB1622	3.75	0.50	245



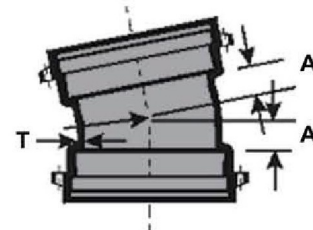
BENDS - 22.5 DEGREES PO X FLG

Size	Item No.	A	T	Wt.
4	POFB422	1.50	0.34	19
6	POFB622	2.00	0.36	41
8	POFB822	2.50	0.38	55
10	POFB1022	3.00	0.40	80
12	POFB1222	3.50	0.42	125
16	POFB1622	3.75	0.50	245



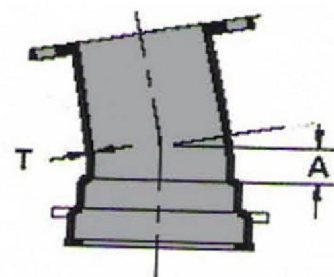
BENDS - 11.25 DEGREES PO X PO

Size	Item No.	A	T	Wt.
4	POB411	1.50	0.34	19
6	POB611	1.50	0.36	33
8	POB811	1.75	0.38	52
10	POB1011	2.00	0.40	77
12	POB1211	2.25	0.42	105
16	POB1611	2.50	0.50	230



BENDS - 11.25 DEGREES PO X FLG

Size	Item No.	A	T	Wt.
4	POFB411	1.50	0.34	19
6	POFB611	1.50	0.36	33
8	POFB811	1.75	0.38	52
10	POFB1011	2.00	0.40	77
12	POFB1211	2.25	0.42	105
16	POFB1611	2.50	0.50	230

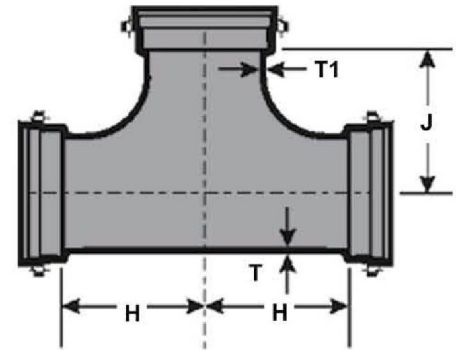


Dimensions in Inches

Weights in Pounds

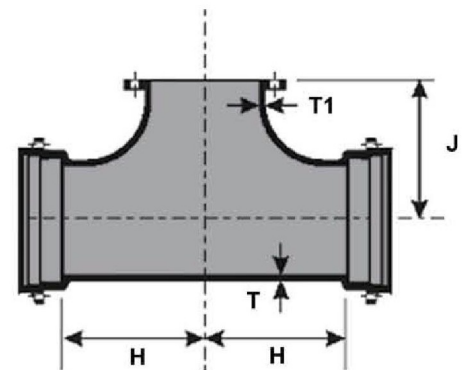
TEES PUSH-ON

Size	Item No.	H	J	T	T1	Wt.	
Run	Branch						
4	4	POT0404	4.00	4.00	0.34	0.34	46
6	6	POT0606	5.00	5.00	0.36	0.36	68
8	6	POT0806	5.00	6.50	0.38	0.36	90
8	8	POT0808	6.50	6.50	0.38	0.38	110
10	6	POT1006	5.00	7.50	0.40	0.36	115
10	8	POT1008	6.50	7.50	0.40	0.38	138
10	10	POT1010	7.50	7.50	0.40	0.40	138
12	6	POT1206	5.00	8.75	0.42	0.36	140
12	8	POT1208	6.50	8.75	0.42	0.38	175
12	10	POT1210	7.50	8.75	0.42	0.40	162
12	12	POT1212	8.75	8.75	0.42	0.42	198
16	6	POT1606	6.50	11.50	0.50	0.36	265
16	8	POT1608	7.50	11.50	0.50	0.38	295
16	12	POT1612	9.50	11.50	0.50	0.42	390
16	16	POT1616	11.50	11.50	0.50	0.50	485



TEES PO X FLG

Size	Item No.	H	J	T	T1	Wt.	
Run	Branch						
4	4	POFT0404	4.00	6.50	0.34	0.34	42
6	6	POFT0606	5.00	8.00	0.36	0.36	66
8	6	POFT0806	5.00	9.00	0.38	0.36	98
8	8	POFT0808	6.50	9.00	0.38	0.38	110
10	6	POFT1006	5.00	11.00	0.40	0.36	119
10	8	POFT1008	6.50	11.00	0.40	0.38	130
10	10	POFT1010	7.50	11.00	0.40	0.40	149
12	6	POFT1206	5.00	12.00	0.42	0.36	139
12	8	POFT1208	6.50	12.00	0.42	0.38	160
12	10	POFT1210	7.50	12.00	0.42	0.40	170
12	12	POFT1212	8.75	12.00	0.42	0.42	205
16	6	POFT1606	6.50	15.00	0.50	0.36	265
16	8	POFT1608	7.50	15.00	0.50	0.38	295
16	12	POFT1612	9.50	15.00	0.50	0.42	360
16	16	POFT1616	11.50	15.00	0.50	0.50	395



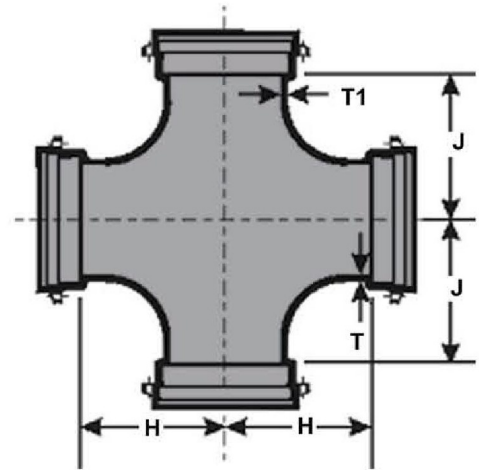
Dimensions in Inches

Weights in Pounds



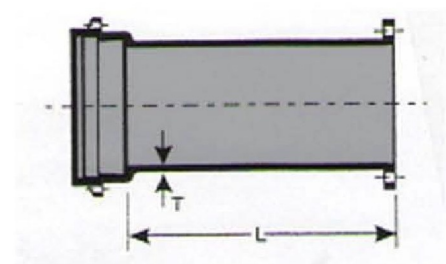
CROSSES PUSH-ON

Size	Item No.	H	J	T	T1	Wt.	
Run	Branch						
6	6	POX0606	5.00	5.00	0.36	0.36	82
8	6	POX0806	6.00	6.00	0.38	0.36	114
8	8	POX0808	6.00	6.00	0.38	0.38	122
10	6	POX1006	7.00	7.00	0.40	0.36	145
10	8	POX1008	7.00	7.00	0.40	0.38	152
10	10	POX1010	7.00	7.00	0.40	0.40	171
12	6	POX1206	8.50	8.50	0.42	0.36	165
12	8	POX1208	8.50	8.50	0.42	0.38	185
12	10	POX1210	8.50	8.50	0.42	0.40	193
12	12	POX1212	8.50	8.50	0.42	0.42	257
16	6	POX1606	11.5	11.5	0.50	0.36	250
16	8	POX1608	11.5	11.5	0.50	0.38	262
16	10	POX1610	11.5	11.5	0.50	0.4	282
16	12	POX1612	11.5	11.5	0.50	0.4	315
16	16	POX1616	11.5	11.5	0.50	0.5	350



ADAPTERS PO X FLG

Size	Item No.	L	T	Wt.
4	POFA04	5.00	0.35	28
6	POFA06	5.00	0.37	39
8	POFA08	5.00	0.39	52
10	POFA10	5.00	0.41	78
12	POFA12	5.00	0.43	105
16	POFA16	5.00	0.48	175



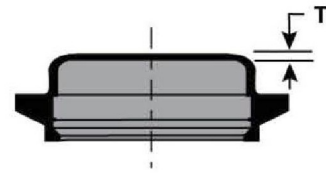
Dimensions in Inches

Weights in Pounds



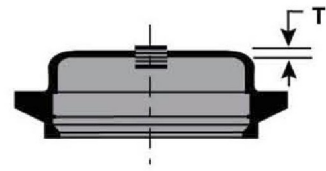
SOLID CAPS

Size	Item No.	T	Wt.
4	POC04	0.36	17
6	POC06	0.36	21
8	POC08	0.38	30
10	POC10	0.40	40
12	POC12	0.42	56
16	POC16	0.50	103



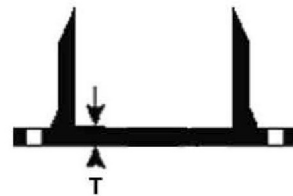
TAPPED CAPS WITH 2" FIPT

Size	Item No.	T	Wt.
4	POCT04	0.36	17
6	POCT06	0.36	21
8	POCT08	0.38	30
10	POCT10	0.40	40
12	POCT12	0.42	56
16	POCT16	0.50	103



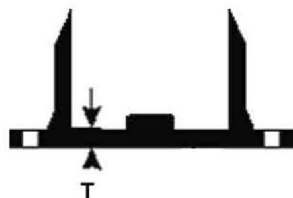
SOLID PLUGS

Size	Item No.	T	Wt.
4	POP04	0.35	11
6	POP06	0.37	17
8	POP08	0.39	27
10	POP10	0.42	36
12	POP12	0.43	47
16	POP16	0.55	65



TAPPED PLUGS WITH 2" FIPT

Size	Item No.	T	Wt.
4	POPT04	0.35	11
6	POPT06	0.37	17
8	POPT08	0.39	27
10	POPT10	0.42	36
12	POPT12	0.43	47
16	POPT16	0.55	65



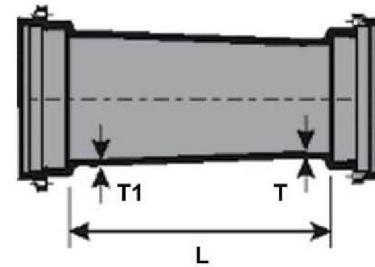
Dimensions in Inches

Weights in Pounds



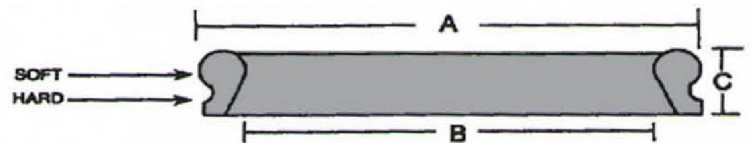
REDUCERS PUSH-ON

Size	Item No.	L	T	T1	Wt.
6 x 4	POR0604	4.00	0.36	0.33	32
8 X 4	POR0804	5.00	0.38	0.34	43
8 X 6	POR0806	4.00	0.38	0.36	47
10 x 6	POR1006	5.00	0.40	0.36	68
10 x 8	POR1008	4.00	0.40	0.38	75
12 x 6	POR1206	7.00	0.42	0.36	81
12 x 8	POR1208	5.00	0.42	0.38	92
12 x 10	POR1210	4.00	0.42	0.40	106
16 x 6	POR1606	11.00	0.50	0.36	138
16 x 8	POR1608	9.00	0.50	0.38	144
16 x 10	POR1610	7.00	0.50	0.40	158
16 x 12	POR1612	5.00	0.50	0.42	172



PUSH ON "SBR" GASKETS

Size	Item No.	A	B	C
4	POGS04	5.74	4.54	1.00
6	POGS06	7.86	6.60	1.00
8	POGS08	10.15	8.73	1.21
10	POGS10	12.25	10.83	1.30
12	POGS12	14.34	12.92	1.30
16	POGS16			



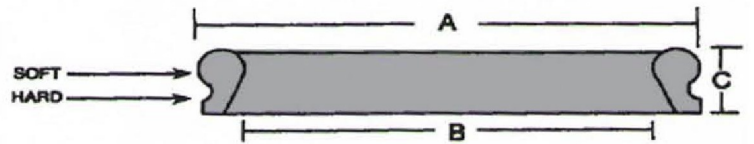
Dimensions in Inches

Weights in Pounds



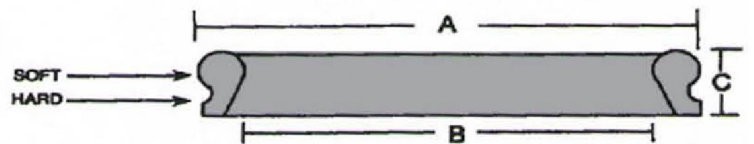
PUSH ON "BUNA - N" GASKETS

Size	Item No.	A	B	C
4	POGB04	5.74	4.54	1.00
6	POGB06	7.86	6.60	1.00
8	POGB08	10.15	8.73	1.21
10	POGB10	12.25	10.83	1.30
12	POGB12	14.34	12.92	1.30
16	POGB16			



TRANSITION GASKETS "SBR" IPSXCIOD

Size	Item No.	A	B	C
4	POGT04	5.74	4.18	1.00
6	POGT06	7.86	6.31	1.00
8	POGT08	10.15	8.32	1.29
10	POGT10	12.10	10.30	1.36
12	POGT12	14.31	12.70	1.45



Dimensions in Inches

Weights in Pounds

