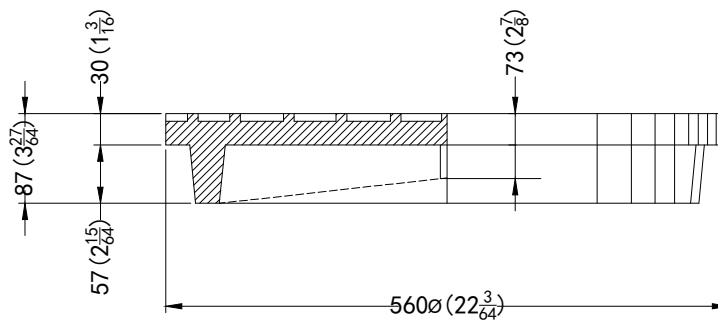


SANITARY ,COMBINED,WATER  
(ALTERNATE NOTATIONS  
AS REQUIRED)

25 (1)Ø  
HOLES FOR  
CARRIAGE BOLT



NOTES:  
 MAT'L:ASTM A48 CLASS 35B GREY IRON  
 FINISH:BITUMINOUS DIP  
 LOADING:H2O

WESTVIEW SALES LTD.

TR20M COVER