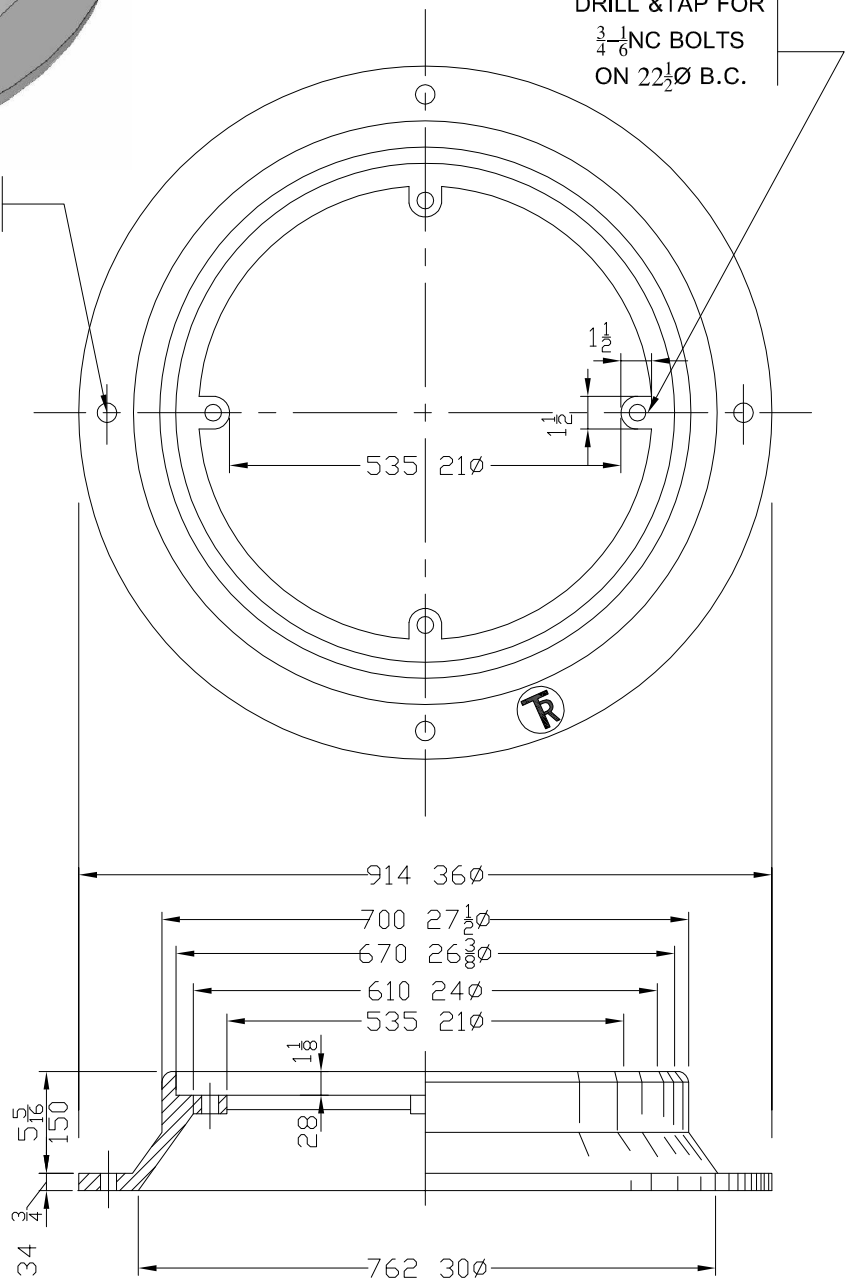


4 HOLES
1"Ø CORED
25mm

4 HOLES
DRILL & TAP FOR
 $\frac{3}{4}$ "-11NC BOLTS
ON 22 $\frac{1}{2}$ "Ø B.C.



NOTES:
MAT'L:ASTM A48 CLASS 25 GREY IRON
FINISH:BITUMINOUS DIP
USED WITH TR40B COVER

WESTVIEW SALES LTD.

TR40B FRAME