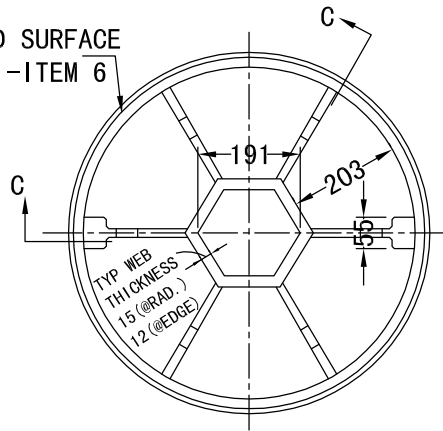
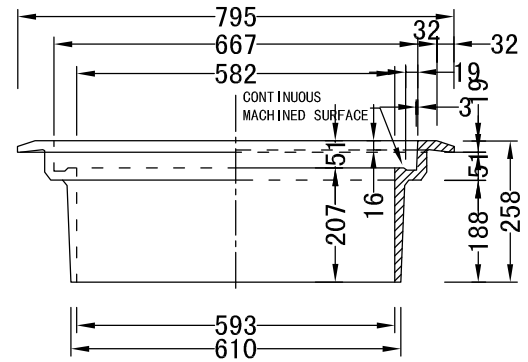


TOP VIEW

CONTINUOUS MACHINED SURFACE
SEE SPECIFICATIONS - ITEM 6



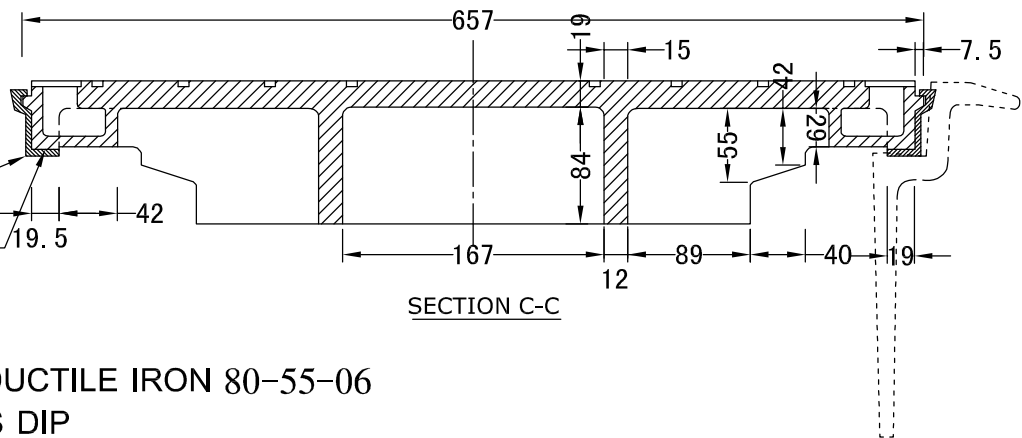
BOTTOM VIEW



SECTION A-A

CONTINUOUS RUBBER GASKET
SEE DETAIL BELOW

CONTINUOUS MACHINED SURFACE



SECTION C-C

NOTES:

MAT'L:ASTM A536 DUCTILE IRON 80-55-06

FINISH:BITUMINOUS DIP

LOADING:H20

WESTVIEW SALES LTD.

RB-90 COVER BLANK