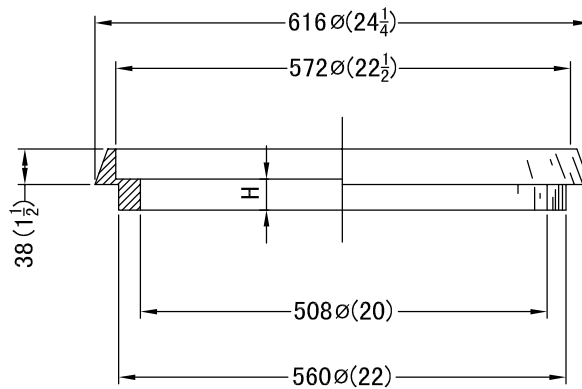


H
38
51
63
76
89
101
114
127



NOTES:
 MAT'L:ASTM A48 CLASS 25B GREY IRON
 FINISH:BITUMINOUS DIP
 LOADING:HIGHWAY LOADING
 FITS TR18 FRAME & COVER

WESTVIEW SALES LTD.

TR18C RISER RING