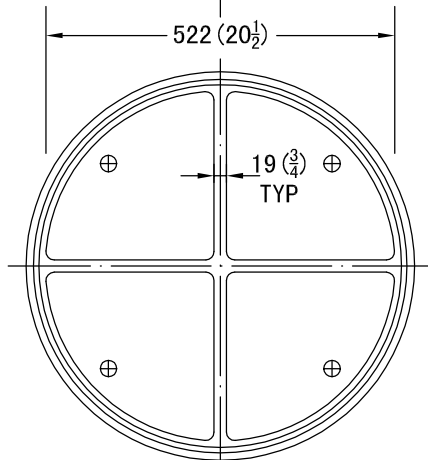
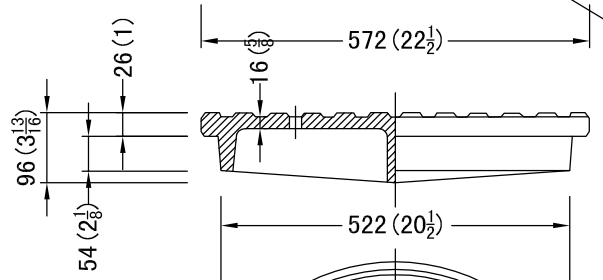


4 HOLES Ø1" CORED

LETTERING 1" HIGH  
RAISED 1/6" ABOVE SURFACE  
(ALTERNATE TO READ...  
SANITARY  
SEWER)



NOTES:  
MAT'L:ASTM A48 CLASS 25B GREY IRON  
FINISH:BITUMINOUS DIP  
LOADING:HIGHWAY LOADING  
FITS TR17 FRAME

WESTVIEW SALES LTD.

TR17 COVER