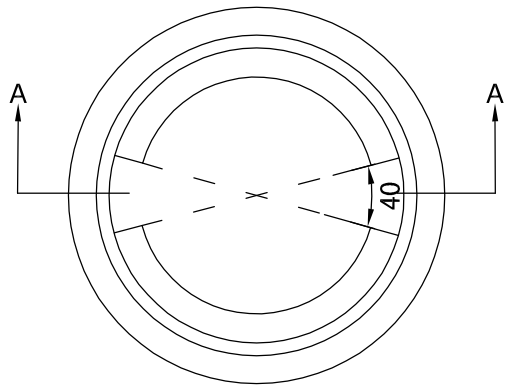
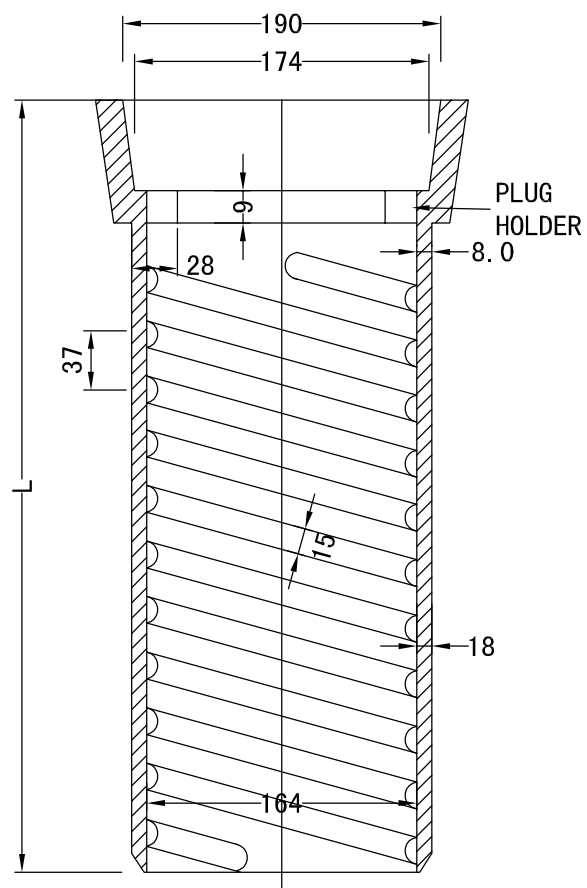


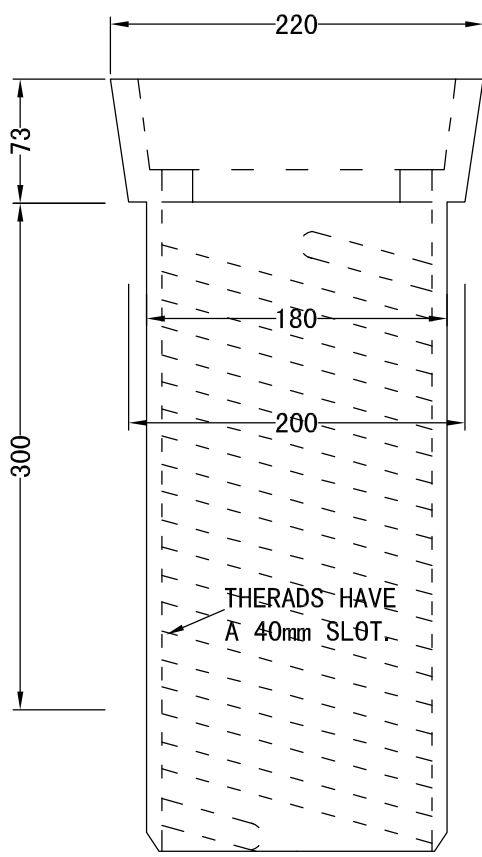
CROSS SECTION B-B
PLUG



TOP VIEW



CROSS SECTION A-A



ELEVATION

NOTES:
 MAT'L:ASTM A536 DUCTILE IRON 80-55-06
 FINISH:BITUMINOUS DIP
 LOADING:H20