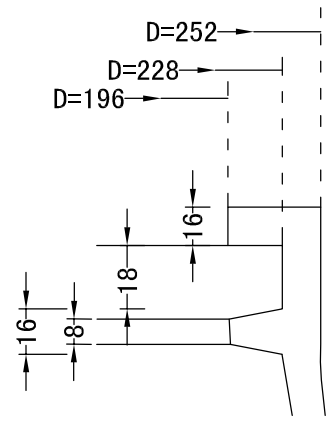
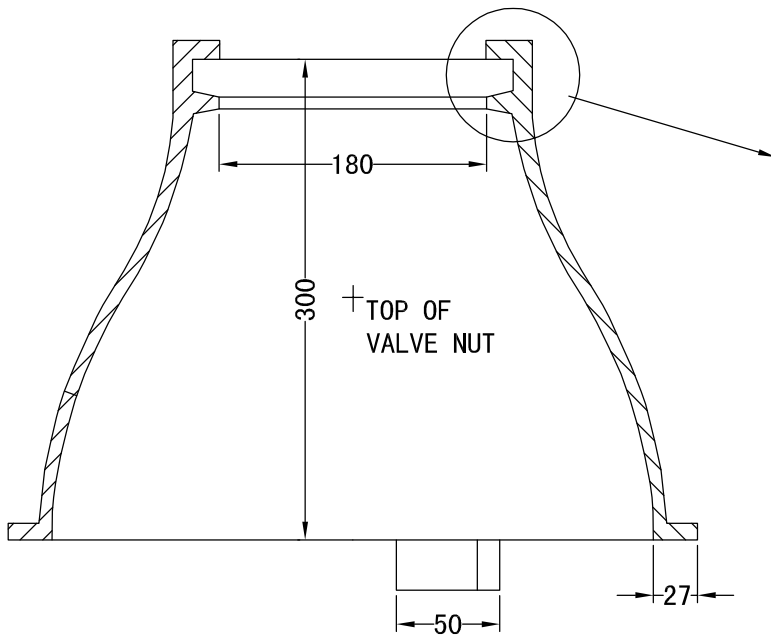
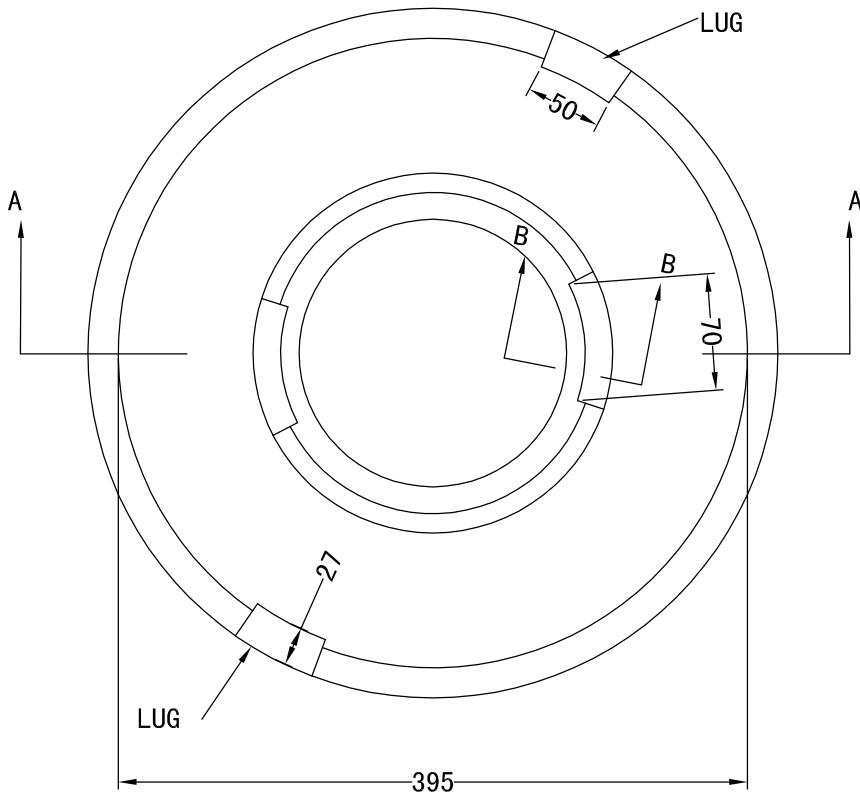


TOP VIEW



DETAIL B-B

CROSS SECTION A-A

NOTES:  
 MAT'L:ASTM A536 DUCTILE IRON 80-55-06  
 FINISH:BITUMINOUS DIP  
 LOADING:H20

WESTVIEW SALES LTD.		VALVE BONNET
---------------------	--	--------------