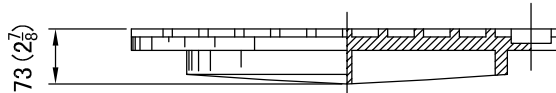


1 LETTERING (TYPICAL)  
DESIGNATED CITY (VARIES)

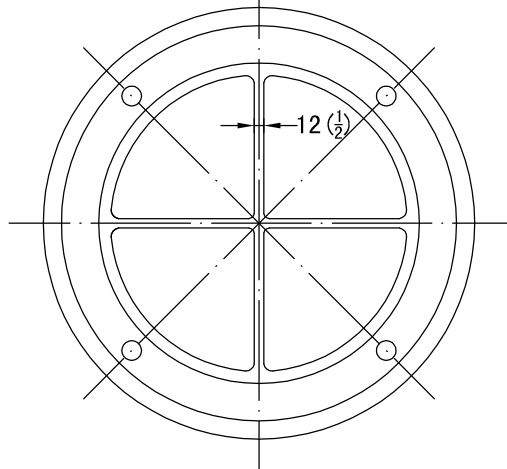
ALTERNATE LETTERING  
MAY READ  
STORM DRAIN ETC.

4 HOLES

565  $\varnothing$ (22  $\frac{1}{4}$ )



73 (2  $\frac{7}{8}$ )



12 ( $\frac{1}{2}$ )

NOTES:  
 MAT'L:ASTM A48 CLASS 25B GREY IRON  
 FINISH:BITUMINOUS DIP  
 LOADING:HIGHWAY LOADING  
 USED WITH TR18B FRAME

WESTVIEW SALES LTD.

TR18B COVER