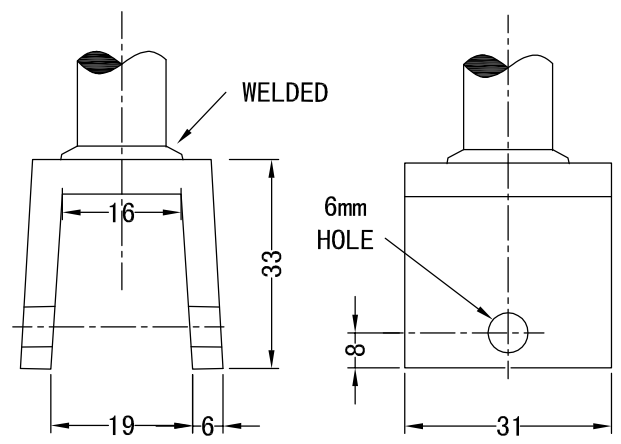


DETAIL "A"



DETAIL "B"