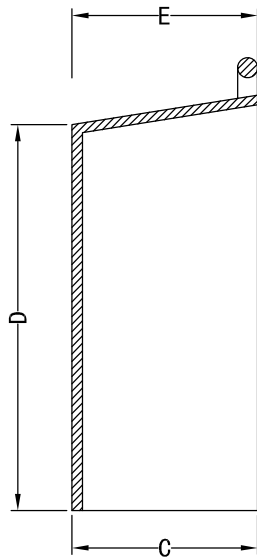
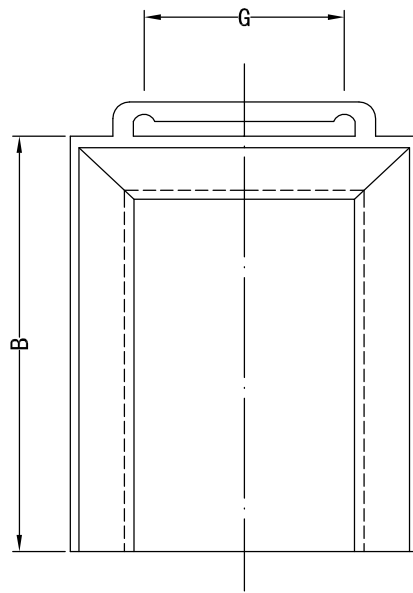


| DIM | 1A | 9 | 9A |
|-----|---------|--------|---------|
| A | 11 | 13 1/2 | 17 1/2 |
| B | 13 3/4 | 16 3/4 | 21 |
| C | 5 15/16 | 8 1/2 | 10 |
| D | 12 3/4 | 14 1/4 | 18 1/2 |
| E | 5 15/16 | 8 1/2 | 10 |
| F | 7 | 8 1/2 | 12 9/16 |
| G | 6 1/2 | 7 1/2 | 12 |



SECTION A-A



NOTES:
 MAT'L:ASTM A48 CLASS 25B GREY IRON
 FINISH:BITUMINOUS DIP

| | |
|---------------------|----------------|
| WESTVIEW SALES LTD. | TRAPPING HOODS |
|---------------------|----------------|