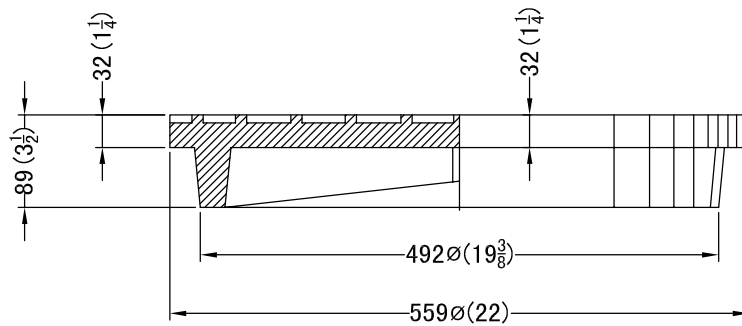


25 (1) Ø
HOLES FOR
CARRIAGE BOLT



NOTES:
 MAT'L:ASTM A48 CLASS 25B GREY IRON
 FINISH:BITUMINOUS DIP
 LOADING:HIGHWAY LOADING

WESTVIEW SALES LTD.

TR20 COVER