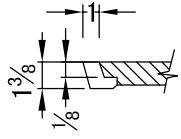
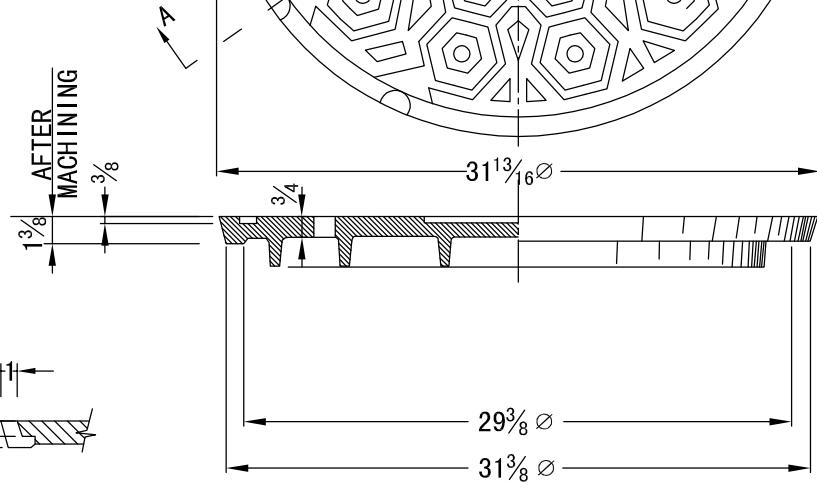
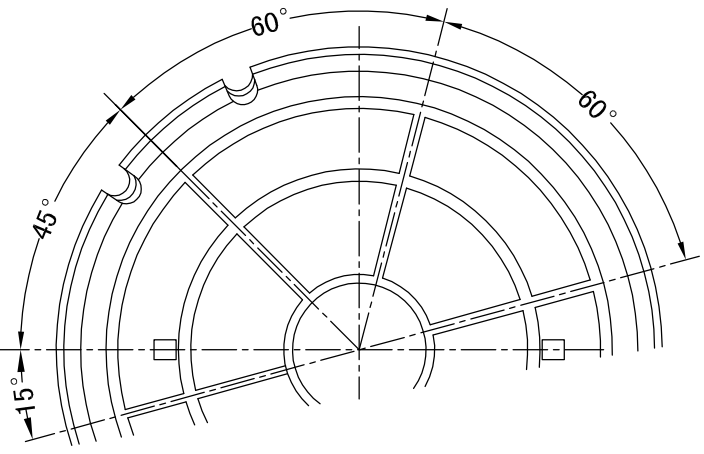


LETTERING TO BE SPECIFIED.
 OPTIONS:
 1) TEL
 2) POWER
 3) UTILITY
 RAISED FLUSH WITH SURFACE



SECTION A-A
 (TYP)



NOTES:
 MAT'L:ASTM A48 CLASS 25 GREY IRON
 FINISH:BITUMINOUS DIP
 LOADING:H20

WESTVIEW SALES LTD.		RB-3046 COVER BLANK
---------------------	--	---------------------