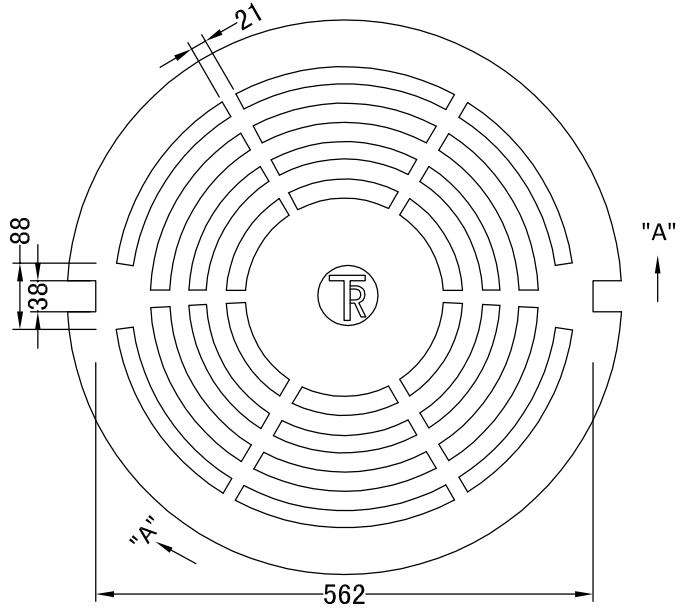
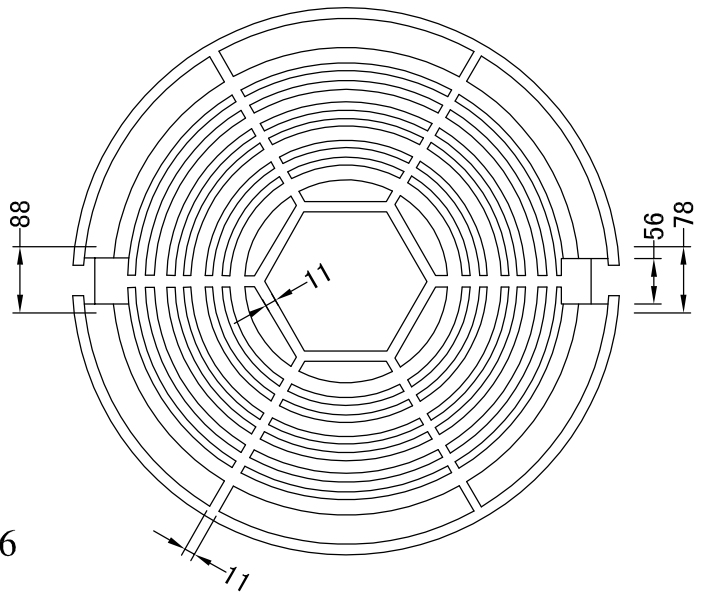


SECTION "A-A"



GRATE-TOP VIEW



GRATE-BOTTOM VIEW

NOTES:  
 MAT'L:ASTM A536 DUCTILE IRON 80-55-06  
 FINISH:BITUMINOUS DIP  
 LOADING:H20

WESTVIEW SALES LTD.		RB-80 GRATE
---------------------	--	-------------