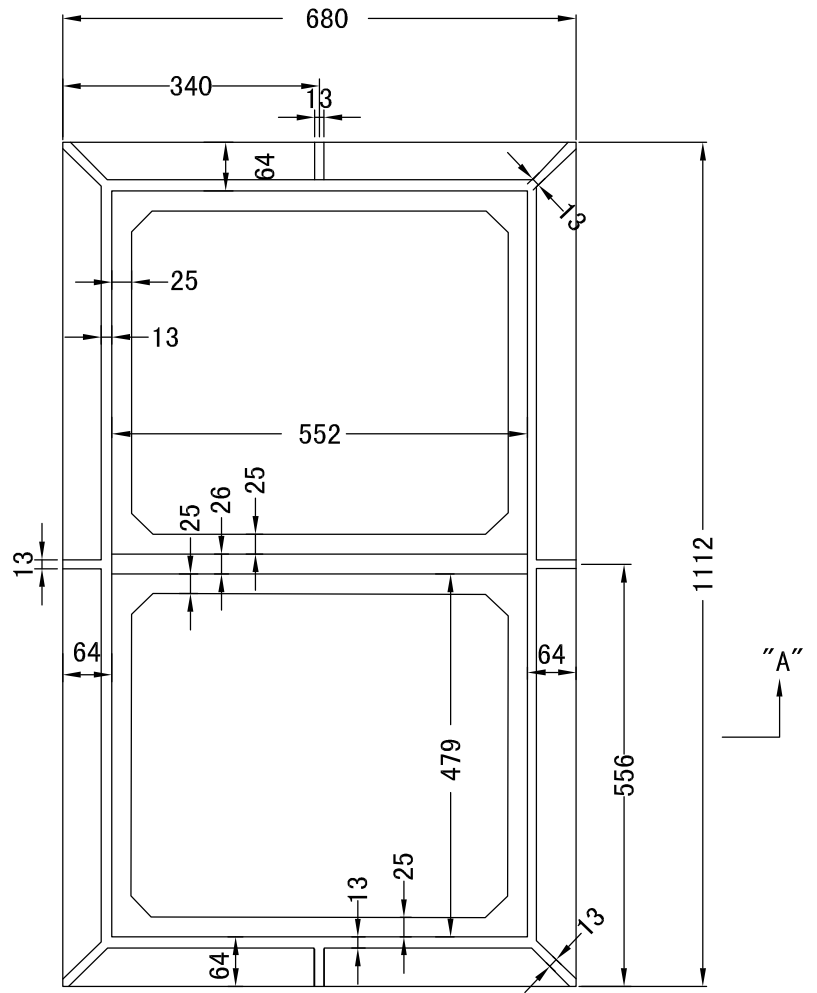
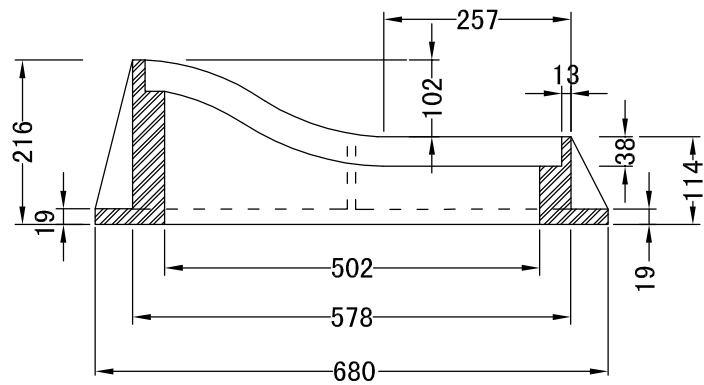


"A"  
↑



PLAN



SECTION A-A

NOTES:  
 MAT'L:ASTM A48 CLASS 25 GREY IRON  
 FINISH:BITUMINOUS DIP  
 LOADING:H20

WESTVIEW SALES LTD.

RB-4 TWIN FRAME