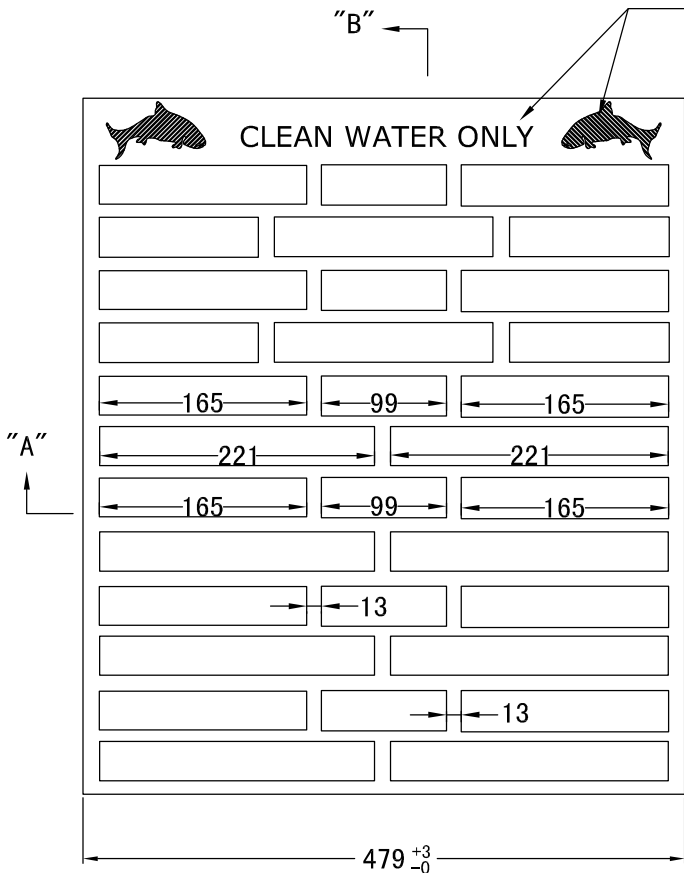
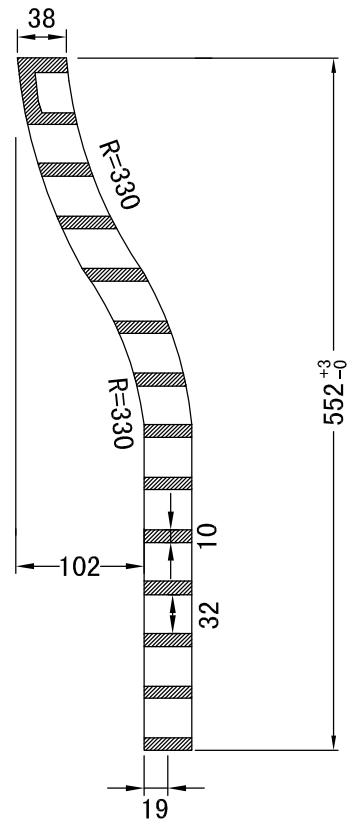




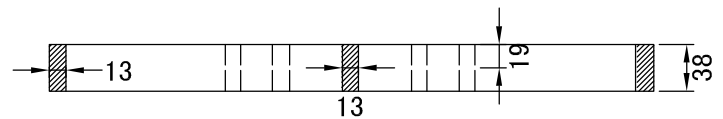
LETTERS AND PROFILES
RAISE 3.0mm ABOVE SURFACE



PLAN



SECTION "B-B"



SECTION "A-A"

NOTES:
 MAT'L:ASTM A536 DUCTILE IRON 80-55-06
 FINISH:BITUMINOUS DIP
 LOADING:H20

WESTVIEW SALES LTD.		RB-4 GRATE
---------------------	--	------------