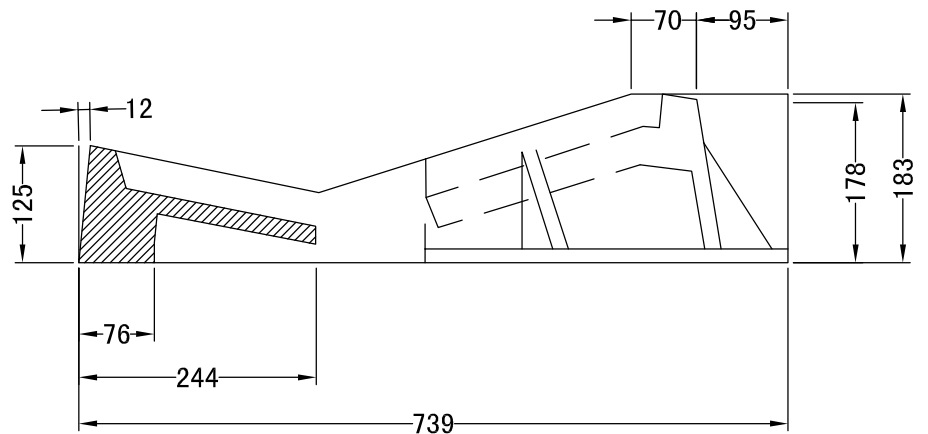


PLAN OF FRAME



SECTION "C"

NOTES:
 MAT'L:ASTM A48 CLASS 25 GREY IRON
 FINISH:BITUMINOUS DIP
 LOADING:H20

WESTVIEW SALES LTD.		RB33COS FRAME
---------------------	--	---------------