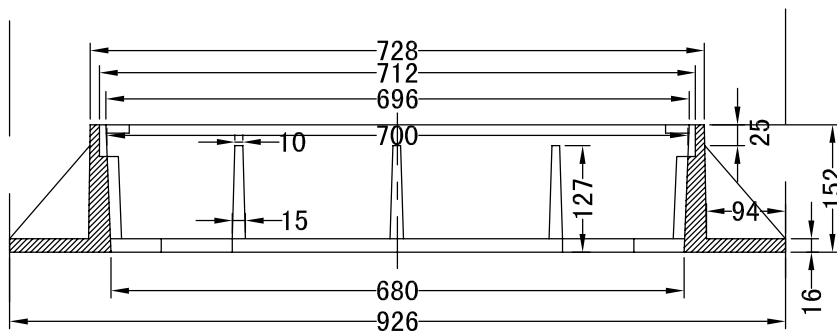
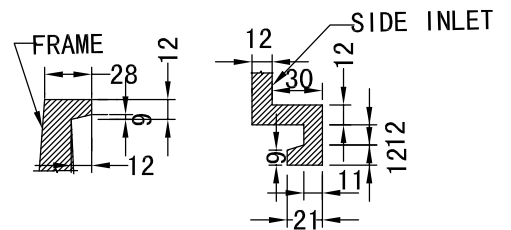


SECTION B-B



SECTION A-A



FRAME/SIDE INLET DETAIL

NOTES:
 MAT'L:ASTM A48 CLASS 30 GREY IRON
 FINISH:BITUMINOUS DIP
 LOADING:H20

WESTVIEW SALES LTD.	STANDARD CURB TYPE CATCH BASIN	RB70FL FRAME
---------------------	-----------------------------------	--------------