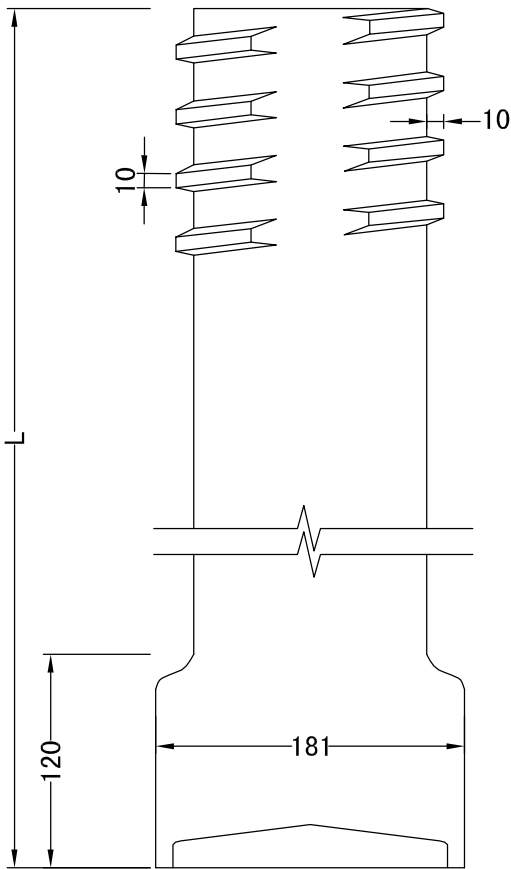
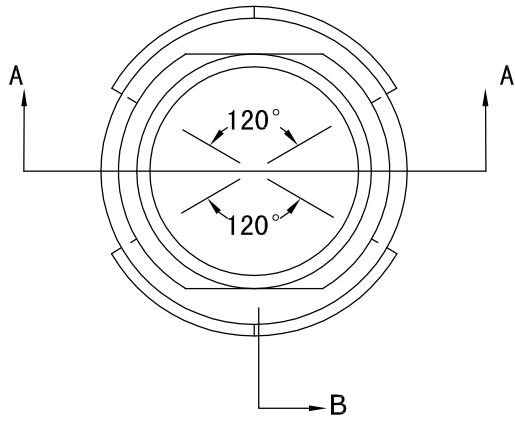
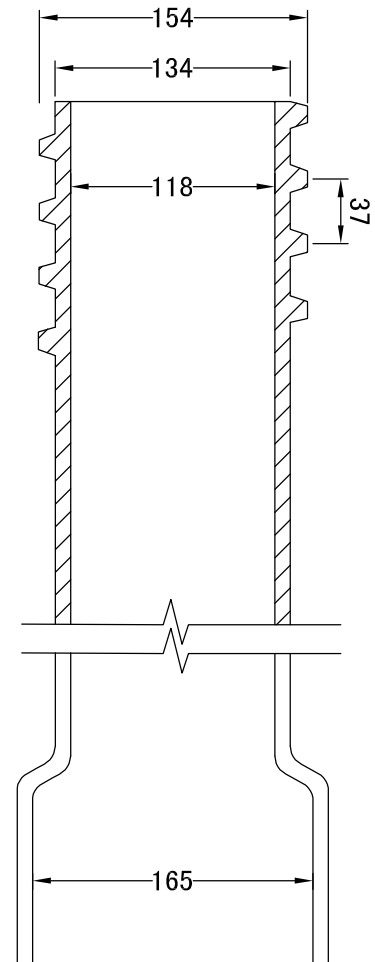


TOP VIEW



ELEVATION



CROSS SECTION A-A

NOTES:

MAT'L:ASTM A48 CLASS 25 GREY IRON

FINISH:BITUMINOUS DIP

LOADING:H20

WESTVIEW SALES LTD.

VALVE CASING BOTTOM
SECTION