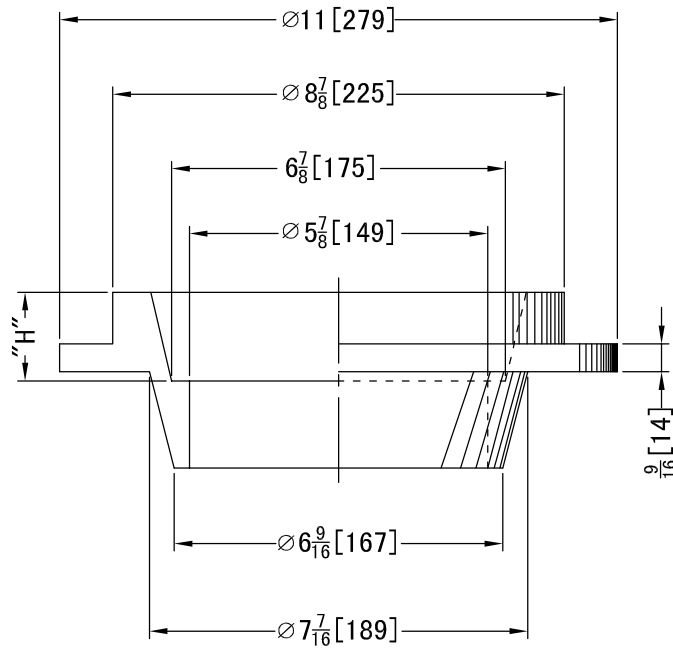


HEIGHTS AVAILABLE

- "H" = 1 3/4 (44)
- = 2 (51)
- = 2 1/4 (57)
- = 2 1/2 (64)



RISER RING

NOTES:

MAT'L:ASTM A48 CLASS 25 GREY IRON

FINISH:BITUMINOUS DIP

LOADING:H20

WESTVIEW SALES LTD.

NELSON BOX RISER RING