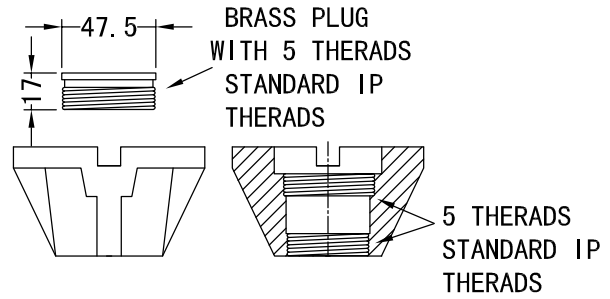
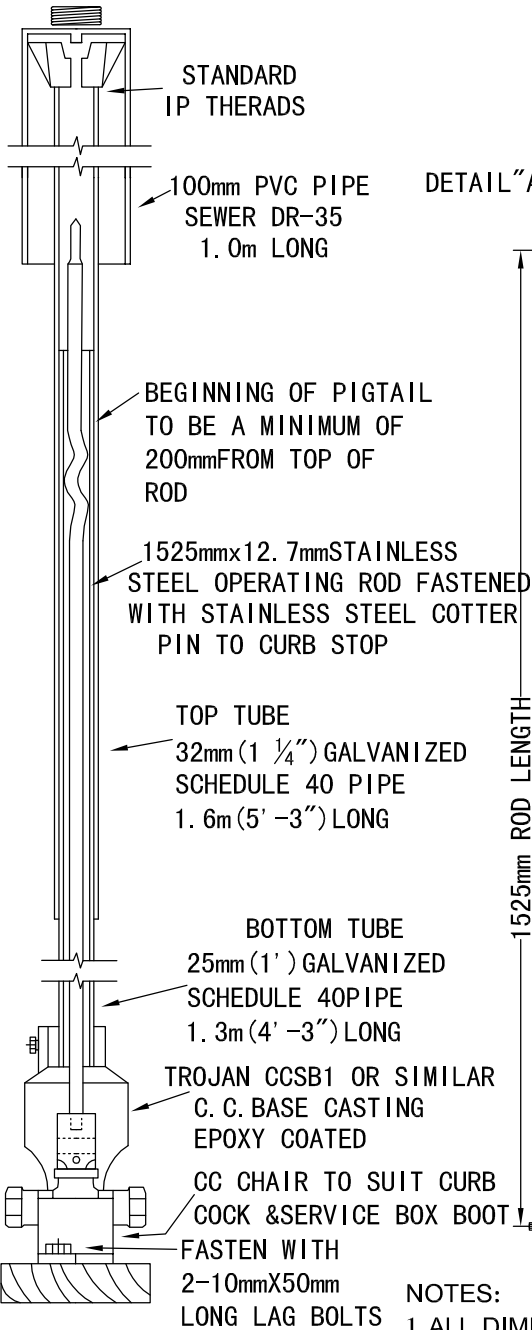


DETAIL A



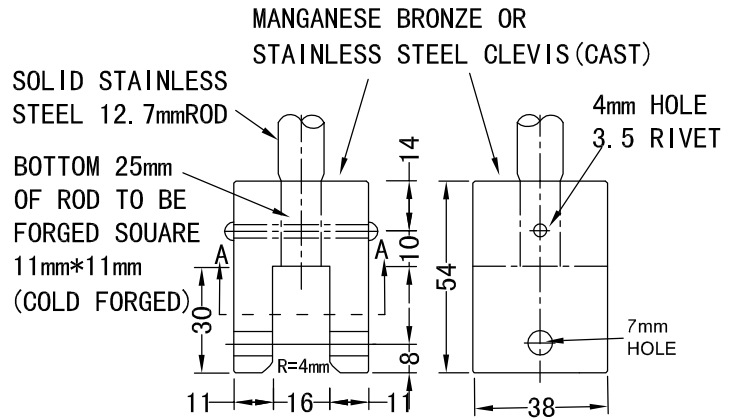
IRON CAP



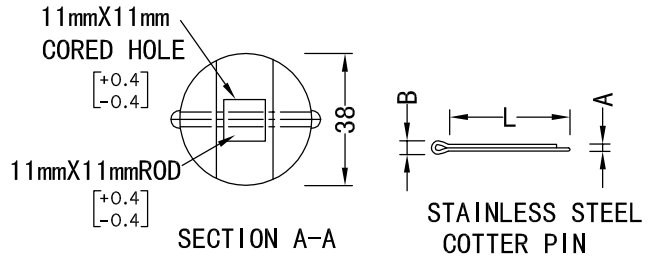
50mmX150mmX300mm
TREATED WOOD BLOCK

NOTES:

1. ALL DIMENSIONS ARE IN MILLIMETERS UNLESS OTHERWISE SPECIFIED.
2. OPERATING ROD SHALL BE SUPPLIED AS A SINGLE UNIT COMPRISED OF A SOLID MILE STEEL ROD, ATTACHED TO CLEVIS WITH A STAINLESS STEEL RIVET.
3. THE MANUFACTURE'S NAME SHALL BE EMBOSSED IONTO THE CLEVIS.



DETAIL B



NOMI NAL DIAMETER	DI AMETER A		OUTSIDE EYE DI AMETER B MINIMUM	HOLE SIZE RECOMMENDED	LENGTH L
	MAX.	MIN.			
6.35mm	5.7mm	6.6mm	12.7mm	6.7mm	55mm

DETAIL "B"

