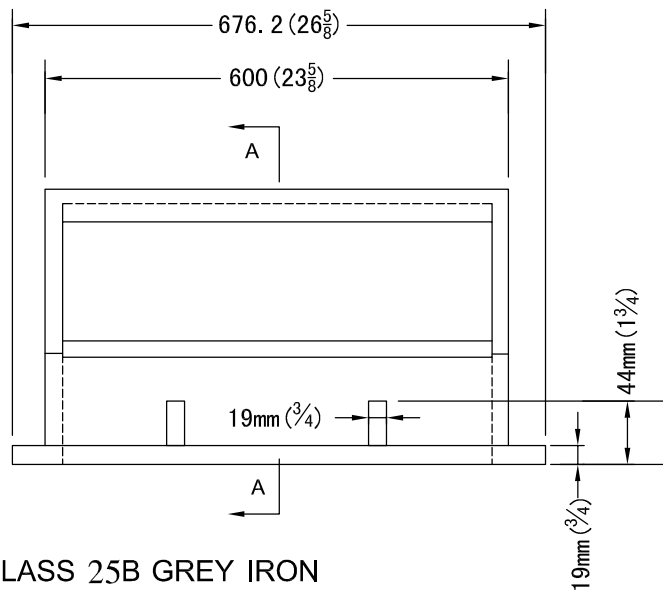


SECTION A-A



NOTES:
 MAT'L:ASTM A48 CLASS 25B GREY IRON
 FINISH:BITUMINOUS DIP

WESTVIEW SALES LTD.

TR24C
 CURB OPENING