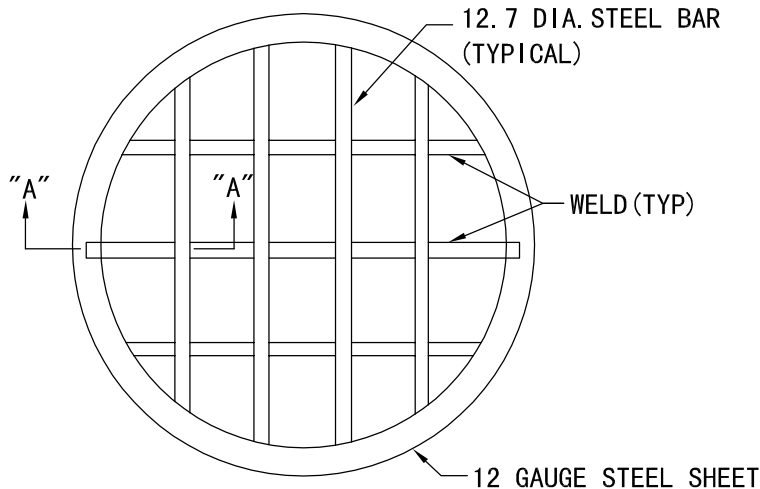
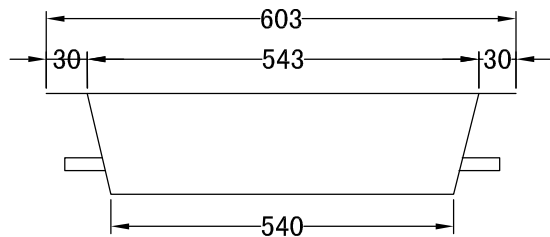


SEE SHEET 4-FILE+452.1001.013
OR SHEET 5-FILE+452.1001.014

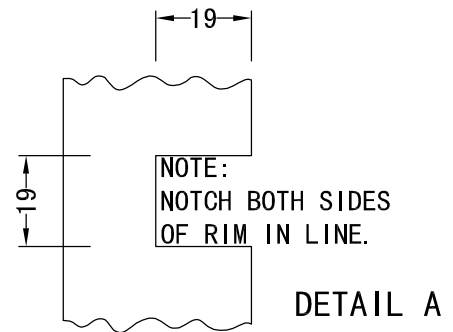
**TOP VIEW
MANHOLE RIM**



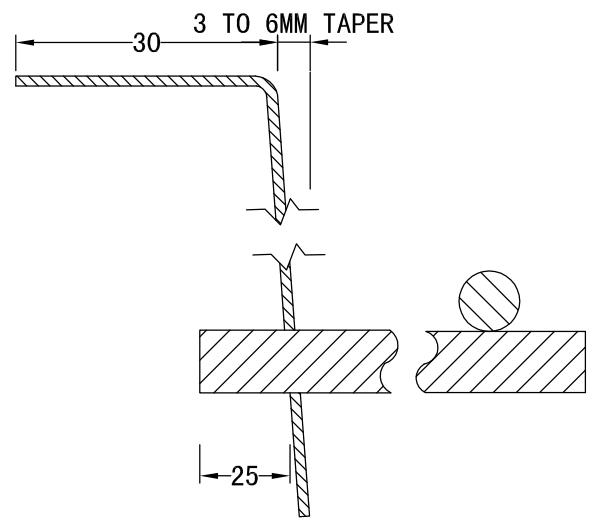
TOP VIEW-SAFETY GRATE



SIDE VIEW-SAFETY GRATE



DETAIL A



SECTION "A-A"

NOTES:

- THE SAFETY GRATE IS TO BE USED ONLY IN MANHOLES WHERE THERE IS DANGER OF THE MANHOLE LID BEING PUSHED OFF DUE TO SURCHARGING. OR AT THE DISCRETION OF THE SEWER DESIGN ENGINEER.
- UPON INSTALLATION TURN GRATE ONE HALF TURE TO SECURE.

MATERIAL SPECIFICATIONS:

- ⚠ -SHALL BE COATED WITH ASPHALT VARNISH.

WESTVIEW SALES LTD.

RB-2 SAFTY GRATE