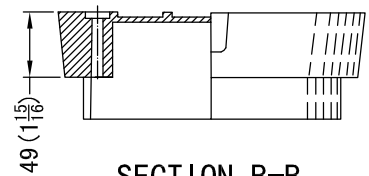
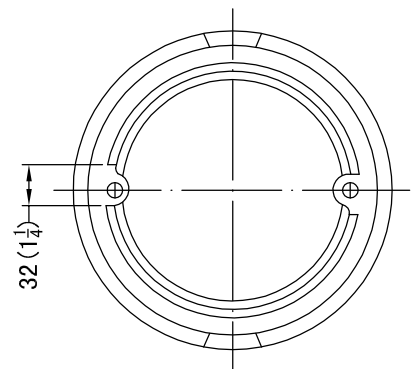


SECTION A-A



SECTION B-B



NOTES:
 MAT'L:ASTM A48 CLASS 25B GREY IRON
 FINISH:BITUMINOUS DIP
 LOADING:HIGHWAY LOADING
 USE WITH M.R.10 VALVE BOX

WESTVIEW SALES LTD.

TR10B LOCKING LID