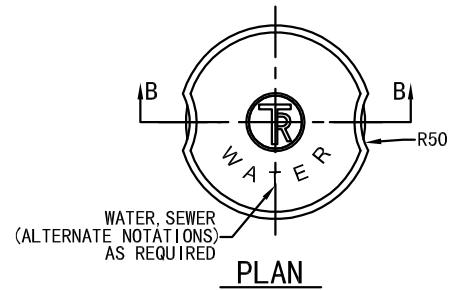
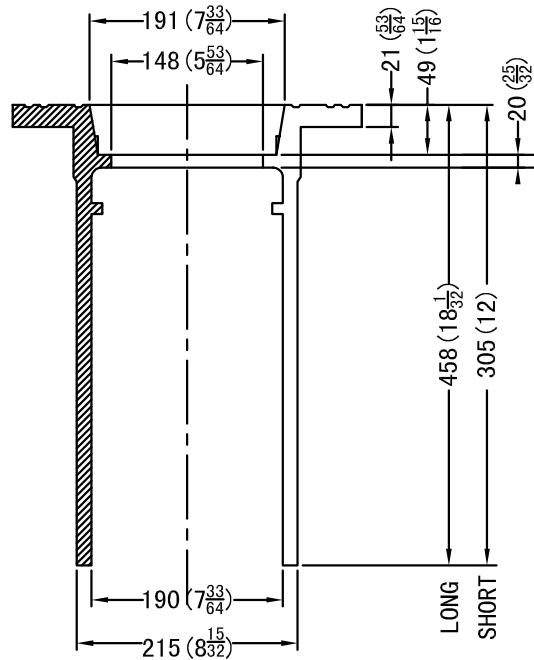


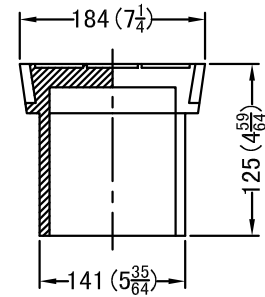
PLAN



PLAN



SECTION A-A
VALVE BOX



SECTION B-B
VALVE BOX

NOTES:
 MAT'L:ASTM A48 CLASS 25B GREY IRON
 FINISH:BITUMINOUS DIP

WESTVIEW SALES LTD.		MR 12&18 VALVE BOX BODY C/W LONG LID
---------------------	--	---