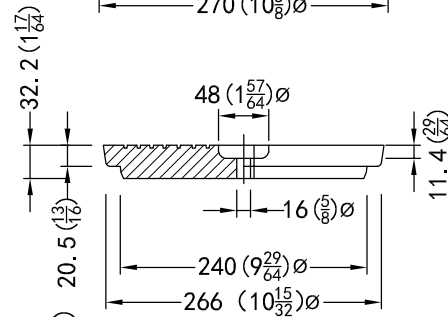
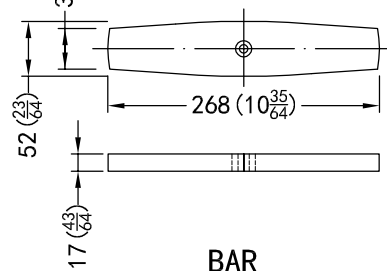


FRAME



COVER



BAR

NOTES:
 MAT'L:ASTM A48 CLASS 25B GREY IRON
 FINISH:BITUMINOUS DIP
 LOADING:HIGHWAY LOADING
 FOR 10" PIPE

WESTVIEW SALES LTD.

TR14C